

TOS5052

Hipot Tester

Equipped with Rise Time Control Function



TOS5052



Rise Time Control function is enable to comply to the Standard requirements for those degradation, destructive testing of sensitive materials

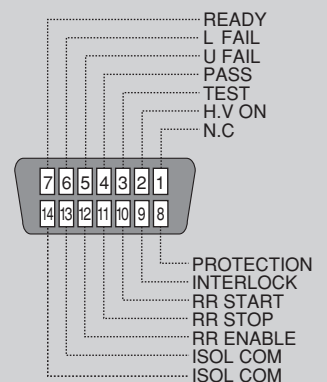
TOS5052 is a special tester designed for withstand voltage testing of electronic equipment and components conforming to various official safety standards. In addition to having an output of 5 kV AC at 100 mA, this model permits output voltage presetting, selection of output frequency (50 or 60 Hz), and rise-time control to control time for voltage to reach a preset level.

The display uses a large, high-brightness, color fluorescent tube for clear display of numbers, operation status, results, and other information.

For fast and accurate testing, the TOS5052 permits dual-axis operation of the test voltage range selector switch and voltage setting knob, and separate up-down keys for determination current and timer settings. Easier to use than ever before, the TOS5052 also incorporates various safety and security features, including key lock, interlock, high-voltage output terminals limiting the number of insertion holes, and large "DANGER" warning lamps. These features make using the TOS5052 safe and reliable.

- Complies with various standards
- Rise-time control function
- High-output test voltage
- Acceptance determination by the window comparator method

[Pin Configuration for the SIGNAL I/O Connector]



TOS5052

Hipot Tester

Output block		
Output voltage range	0.50 kV to 5.00 kVAC (100 mA output possible range)	
Voltage setting range	0.00 to 2.95 kV/0.00 to 5.45 kV, 2 ranges (3-digit digital setting)	
Setting accuracy	±(2% of setting + 2 digits) at 0.20 kV or higher with no load	
Resolution	10V	
Maximum rated output *1	500VA (5kV/100mA)	
Transformer capacity	500VA	
Output voltage waveform	Sine wave	
Distortion factor	Output voltage of 0.5 kV or higher: 2% or less (under no load or resistive load)	
Frequency	50 or 60 Hz selectable (0.5% of setting, except during voltage rise)	
Voltage regulation	9% or less (maximum rated load to no load)	
Output type	PWM switching	
Output voltage	Output is shut off and protection is effected when the output voltage exceeds the set value plus 200V. "kV" blinks when the output voltage falls below the set voltage minus 100V.	
Output voltmeter		
Analog	Scale	5 kV f.s
	Accuracy	±5% f.s
	Indication	Mean-value response/rms-value indication
Digital	Scale	2.5 kV/5 kV f.s
	Accuracy	±1.5% f.s when the measured voltage does not change within the digital voltmeter's response time.
	Response	Mean-value response/rms-value indication (400 ms response time)
	Hold function	The voltage measured at the end of test is held during the PASS or FAIL interval.
Ammeter		
Digital	Measuring range	0.00 to 110mA
	Accuracy	±(5% of upper cutoff current+ 20μA) when the measured current does not change within the digital ammeter's response time.
	Response	Mean-value response/rms-value indication (400 ms response time)
	Hold function	The current measured at the end of test is held during the PASS interval.
Judgement function		
Judgement system	Window comparator system ●FAIL is judged when a current greater than the upper cutoff current is detected. ●FAIL is judged when a current smaller than the lower cutoff current is detected. ●OUTPUT is shut off and FAIL SIGNAL is generated when FAIL is judged. ●PASS SIGNAL is generated when no anomaly is found within the set time.	
Upper cutoff current range	0.1 to 110mA	
Lower cutoff current range	0.1 to 110mA The TOS5052 makes no lower pass/fail judgment while the voltage is rising and for approximately 0.2s after the voltage is made constant.	
Judgement accuracy	±(5% of upper cutoff current +20μA)	
Current detection method	Absolute value of current is integrated and compared against the reference value.	
Calibration	The root mean square value of sine wave is calibrated using the pure resistive load.	
Illuminators and LEDs		
PASS	Lit for approximately 0.2 s when PASS is judged. Held on when PASS HOLD is enabled.	
UPPER FAIL	Lit when a current greater than the upper cutoff current is detected and FAIL is judged.	
LOWER FAIL	Lit when a current smaller than the lower cutoff current is detected and FAIL is judged.	
Buzzer	●Turned on for approximately 0.2 s when PASS is judged. ●Held on in the following cases: PASS is judged –when PASS HOLD is enabled. UPPER FAIL is judged. LOWER FAIL is judged. The volume of the FAIL or PASS buzzer may be adjusted. The volume setting is common to both FAIL and PASS conditions because the same adjuster is used.	

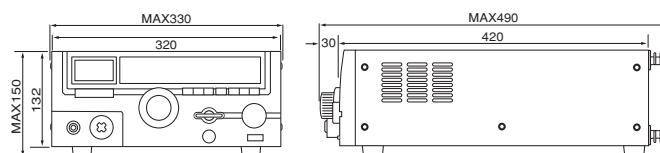
Time		
Voltage	Range	0.1 to 99.9s 0.1s step
	Accuracy	±20ms
Test time	Range	0.3 to 999 s(TIMER OFF function available)
	Accuracy	±20ms
Environment		
Warranty range	Temperature	5 to 35°C
	Humidity	20 to 80%rh (non condensing)
Operating range	Temperature	0 to 40°C
	Humidity	20 to 80%rh (non condensing)
Storage range	Temperature	-20 to 70°C
	Humidity	90%rh or less (non condensing)
Power requirement		
Allowable voltage range	90V to 110V The following power voltage options are factory options: (104 V to 125 V)(194 V to 236V) (207 V to 250 V)	
Power consumption	No load time (READY)	150 VA or less
	Rated load time	1,000 VA max.
Allowable frequency range	45Hz to 65Hz	
Insulation resistance	30MΩ min. (500VDC), between AC line and chassis	
Hipot	1,390 V AC (2 seconds), between AC line and chassis	
Ground continuity	25 A AC/ 0.1Ω max.	
Electromagnetic compatibility (EMC)*2		
Conforms to the requirements of the following directive and standard. EMC Directive 89/336/EEC, EN61326, EN61000-3-2, EN61000-3-3 Under following conditions 1. Used HV test leadwires which is supplied. 2. No discharge in testing. 3. Used the shielded cable which length is less than three meters when the SIGNAL I/O is used.		
Safety*2, 3		
Conforms to the requirements of the following directive and standard. Low Voltage Directive 73/23/EEC EN61010-1 Class I, Pollution degree 2		
Dimensions (MAX)	320(330) W × 132(150) H × 420(490) Dmm	
Weight	Approx. 22kg	
Accessories		
AC Power cable	1 Piece.	
High-voltage test leadwire	TL01-TOS (1.5m) 1 set	
14-pin Amphenol plug	1 piece., assembly type	
"DANGER HIGH VOLTAGE" sticker	1 sheet	
AC power fuse	2 pieces. (One in present use and the other as spare in the fuse holder cap)	
Operation manual	1 copy	

*1: Maximum testing time is 30 minutes. However, it may limit the continuous duration (time) of output by upper current limit and the environmental temperature.

*2: Only on models that have CE marking on the panel. Not applicable to custom order models.

*3: This instrument is a Class I equipment. Be sure to ground the protective conductor terminal of the instrument. The safety of the instrument is not guaranteed unless the instrument is grounded properly.

External dimensional diagrams



Unit: mm



KIKUSUI ELECTRONICS CORPORATION

1-1-3, Higashiyamata, Tsuzuki-ku, Yokohama, 224-0023, Japan
Phone: (+81) 45-593-7570, Facsimile: (+81) 45-593-7571, www.kikusui.co.jp

KIKUSUI AMERICA, INC. Toll Free **1-800-KIKUSUI** www.kikusui.us



1744 Rollins Road, Burlingame, CA 94010
Phone : 650-259-5900 Facsimile : 650-259-5904

KIKUSUI TRADING (SHANGHAI) Co., Ltd. www.kikusui.cn



Room, D-01,11F, Majesty Bld, No.138, Pudong Ave, Shanghai City
Phone : 021-5887-9067 Facsimile : 021-5887-9069

For our local sales distributors and representatives, please refer to "sales network" of our website.

Recycled Paper

●Distributor:

■ All products contained in this catalogue are equipment and devices that are premised on use under the supervision of qualified personnel, and are not designed or produced for home-use or use by general consumers. ■ Specifications, design and so forth are subject to change without prior notice to improve the quality. ■ Product names and prices are subject to change and production may be discontinued when necessary. ■ Product names, company names and brand names contained in this catalogue represent the respective registered trade name or trade mark. ■ Colors, textures and so forth of photographs shown in this catalogue may differ from actual products due to a limited fidelity in printing. ■ Although every effort has been made to provide the information as accurate as possible for this catalogue, certain details have unavoidably been omitted due to limitations in space. ■ If you find any misprints or errors in this catalogue, it would be appreciated if you would inform us. ■ Please contact our distributors to confirm specifications, price, accessories or anything that may be unclear when placing an order or concluding a purchasing agreement.

Printed in Japan

Issue:Feb.2008

2008021KCMEC41